



# Ethanol Maintenance 201

Learn advanced hands-on techniques  
for increased productivity

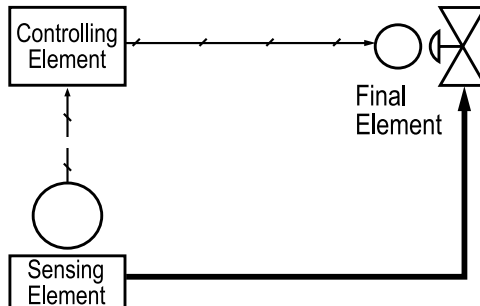
July 23-24, 2020 • December 3-4, 2020

**BioFuels**  
AUTOMATION  
University



## Take Control of the Loop!

Day One: 8:00 AM - 4:30 PM Day Two: 8:00 AM - 3:00 PM



This class will take you through an analysis of the complete control loop, providing you with a deeper understanding of the relationship between the three segments of a control loop. Sensing Element, PID Controller, Final Control Element. C (control) DCS, I and V

### Topics Covered:

#### Loop Configurations

- Hart Modem Software
- Calibration and Validation
- Configuration Tools
- Instrument Configuration Management

#### Instruments: Sensing Elements

- Detailed Instrument Configuration Labs
  - Flow
  - Level
  - Pressure

#### Controller PID Tuning: Theory and Practical Application

#### Valves: Final Control Element

- Valve Sizing Lab
- Valve Actuation
- Smart Valve Positioner Configuration
- Root Cause Failure Analysis

### Fee:

\$2,250 per participant.  
Fee includes lodging and meals.  
Payment information required to  
complete registration.

### Location:

BioFuels Automation University  
Training Center  
151 Cheshire Lane North  
Plymouth, Minnesota

Space Limited to 10 participants for maximum comprehension  
Class lead by highly experienced service professionals,  
80% hands-on practical application.



Space is Limited **Register Today!**

Contact Tamma Whealy at 888.870.FUEL(3835) or [tamma.whealy@swansonflo.com](mailto:tamma.whealy@swansonflo.com)



151 Cheshire Ln. N, Suite #800, Plymouth, MN 55441  
888-870-FUEL(3835) | [www.BioFuelsAutomation.com](http://www.BioFuelsAutomation.com)